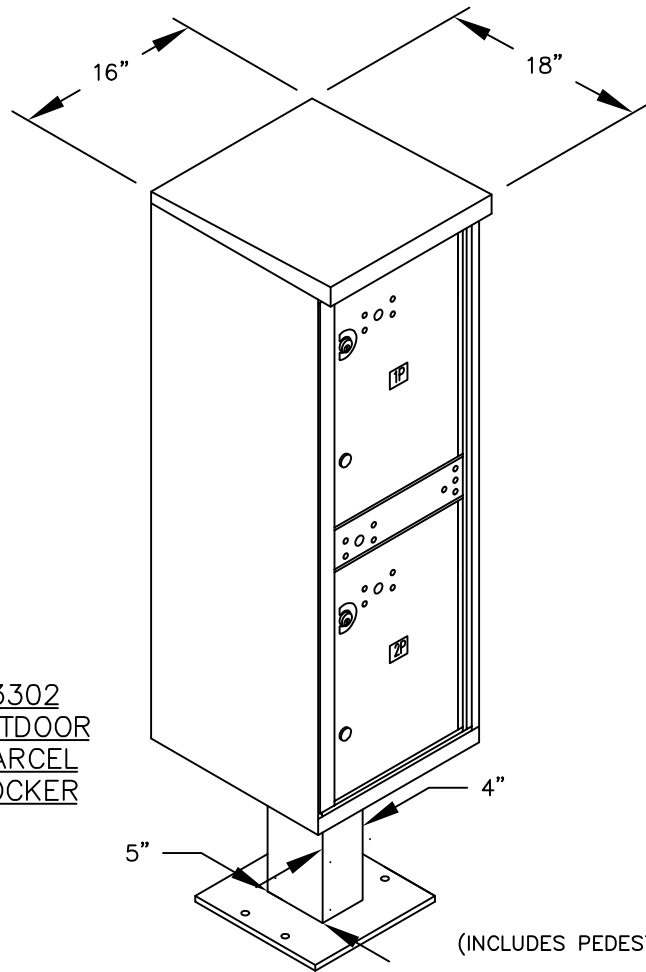
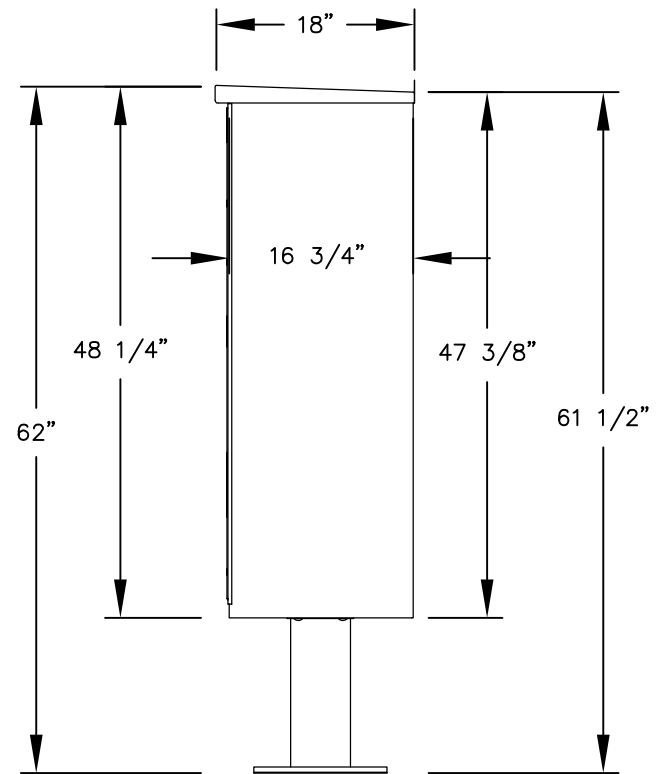


PEDESTAL BASE  
BOLT PATTERN



3302  
OUTDOOR  
PARCEL  
LOCKER

(INCLUDES PEDESTAL)



**MODEL #3302**  
OUTDOOR PARCEL LOCKERS

AVAILABLE COLORS:  
SANDSTONE, BRONZE, GREEN, BLACK, WHITE  
OR GRAY (FOR REPLACEMENT UNITS)

USPS ACCESS OR PRIVATE ACCESS

DRAWN: 8/2020

*Established in 1936, Salsbury Industries is the industry leader in manufacturing and distributing quality mailboxes.*

18300 CENTRAL AVENUE  
CARSON, CA 90746-4008

PHONE: (800) 624-5269

FAX: (800) 624-5299

email: [engineering@mailboxes.com](mailto:engineering@mailboxes.com)